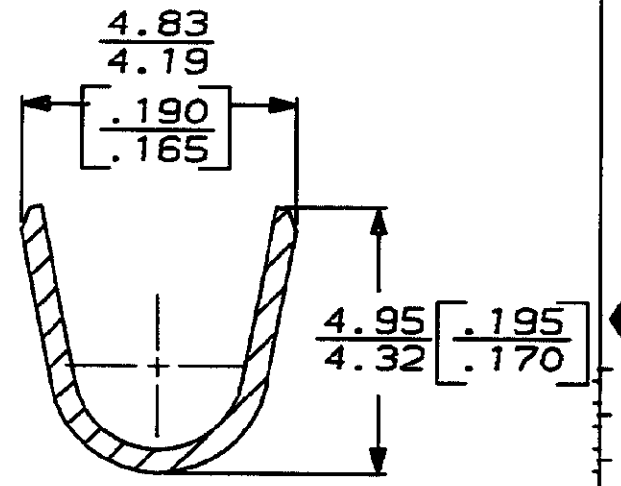
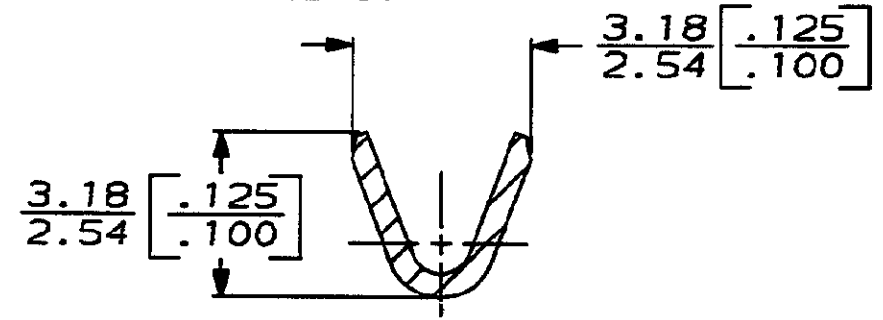
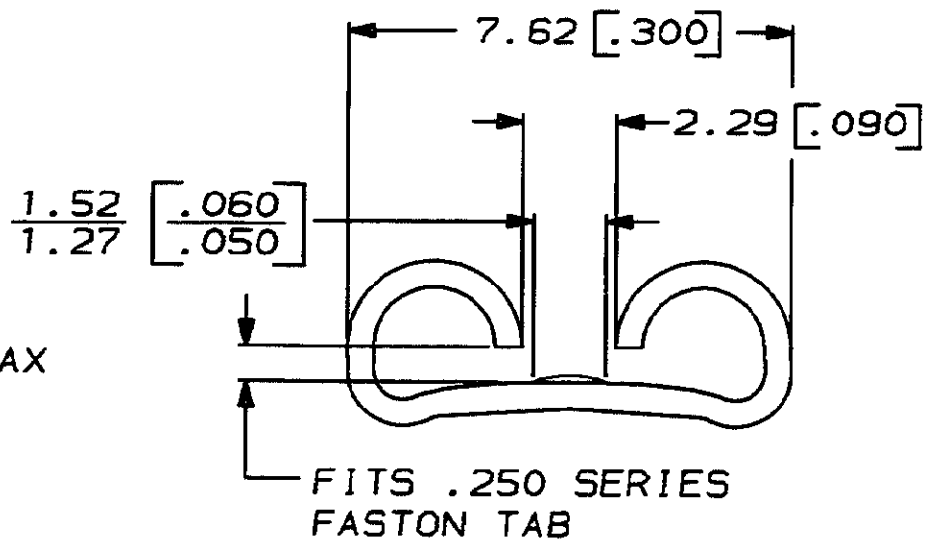
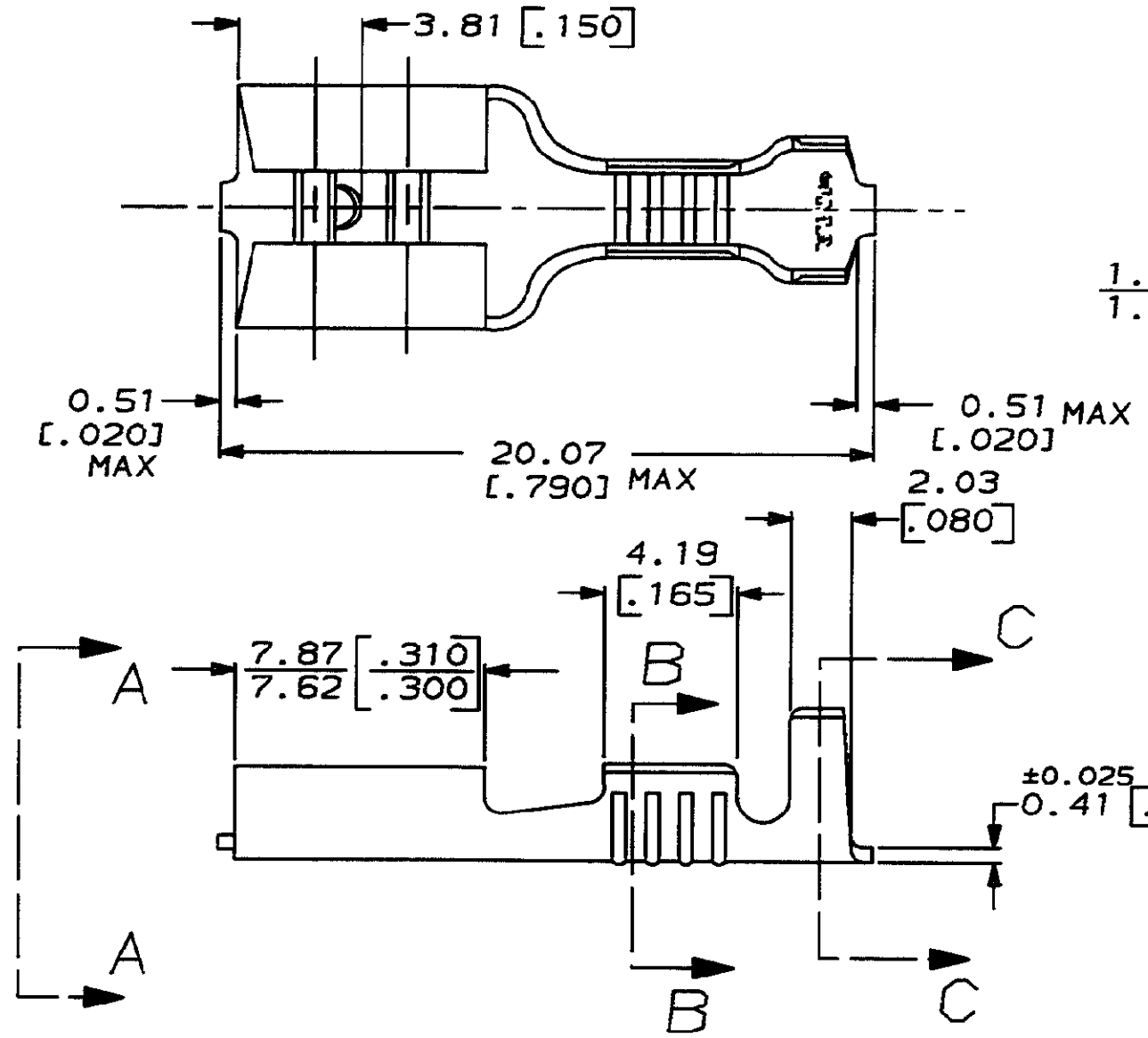


THIS DRAWING IS UNPUBLISHED. RELEASED FOR PUBLICATION ,19 .  
 © COPYRIGHT 19 BY AMP INCORPORATED. ALL INTERNATIONAL RIGHTS RESERVED.

LOC		DIST		ZONE		LTR		REVISIONS		
AF	50	P	F					DESCRIPTION	DATE	APPD
						0		DRAWN	3/2/93	JR



1 SUPPLIED IN LOOSE PIECE

41772	2.29-3.30 [.090-.130]	0.3-0.8mm <sup>2</sup> [22-18]	±0.025 ±.001 0.81 [.032]	60878-2
STRIP FORM	INSUL RANGE	WIRE SIZE	MATING TAB THK	PART NO
DO NOT SCALE PRINT. UNLESS SPECIFIED DIMENSIONS IN INCHES TOLERANCES ON: 2 PLC DEC ± - 3 PLC DEC ± 0.25 [.010] ANGLES ± -		DR 3/2/93 JR BUTH CHK 3/2/93 MS FEVER	AMP INCORPORATED Harriensburg, Pa. 17105	
MATERIAL	4M BRASS	APPD 3/2/93 C MEYERS APPD 3/2/93 B/REIMER	NAME RECEPTACLE, FASTON,™ .250 SERIES	
FINISH	TIN .000080 MIN	PRODUCT SPEC -	SIZE B	FSCN NO 00779
		APPLICATION SPEC -	DRAWING NO 60878	
		WEIGHT -	SCALE 5:1	SHEET 1 OF 1